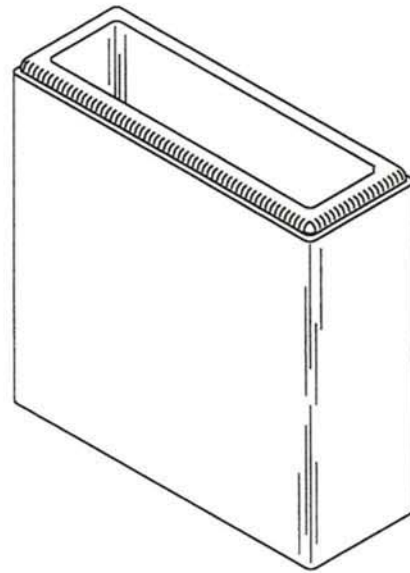
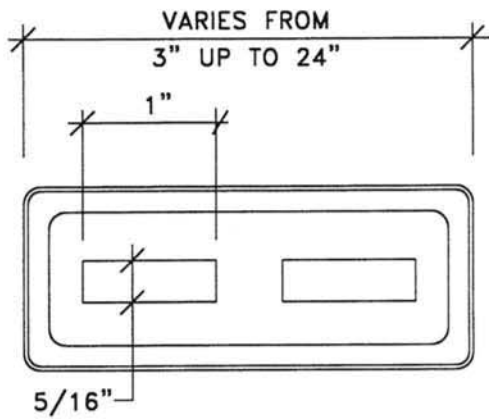


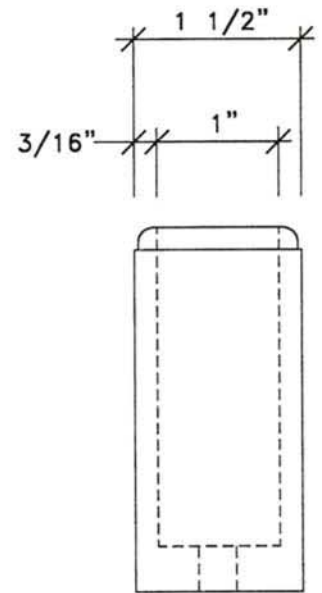
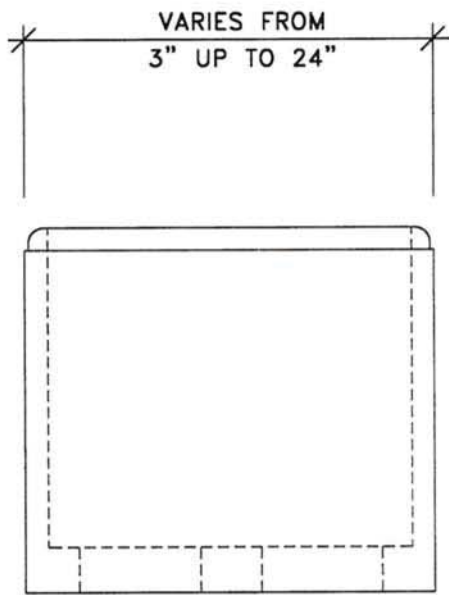
**PLASTIC PILASTER SHOE**  
(Standard hardware)



PLAN VIEW SHOWN LARGER THAN OTHER VIEWS

**NOTE:**

Shown is the plastic pilaster shoe, made from high density polyethylene(HDPE) resins, which are injection molded into shoes ranging in sizes from 3" up to 12", no half sizes are available.  
Shoes 13" to 24" are milled from 1 1/2" x lengths of high density polyethylene(HDPE). Only available in 3" height.



DO NOT SCALE

DATED: 10/07/99