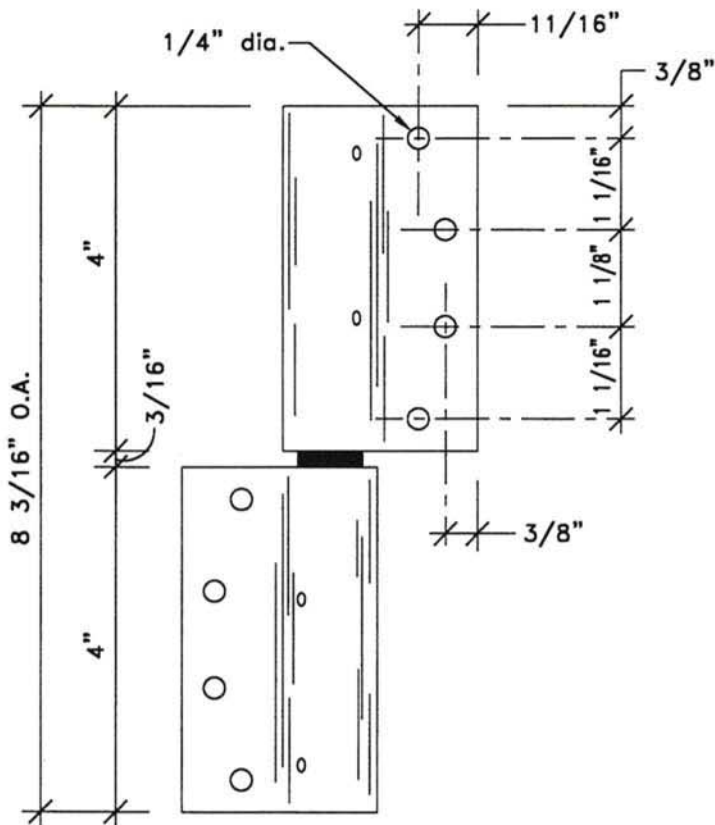
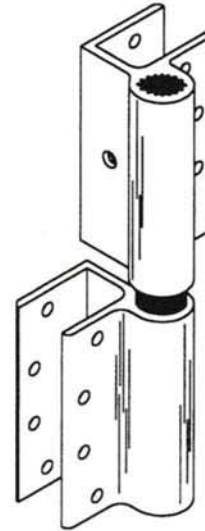


PLAN VIEW SHOWN LARGER THAN OTHER VIEWS

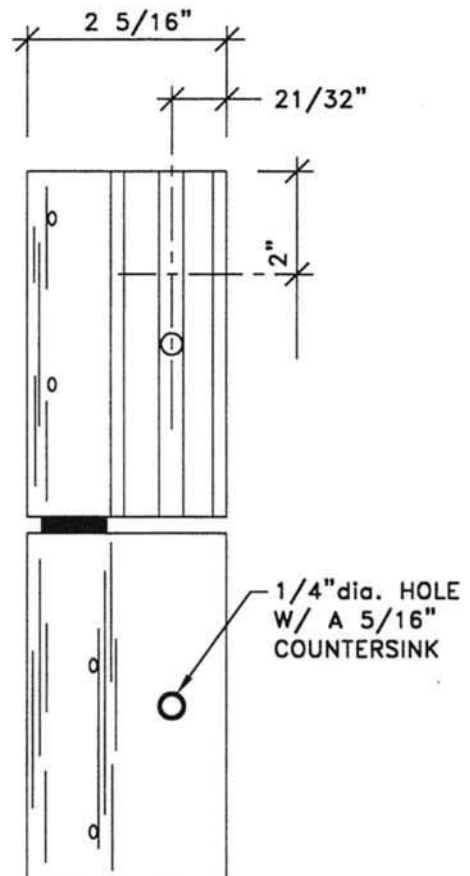
**NOTE:**

Shown is the heavy duty extruded aluminum(6463-T5 alloy) 8" surface mounted wrap around hinge. The hinge has a bright dipped anodized finish. The top hinge(as shown) contains the cam mechanism in it to insure that the door returns fully closed. Hinges can be adjusted in the field for proper operation.

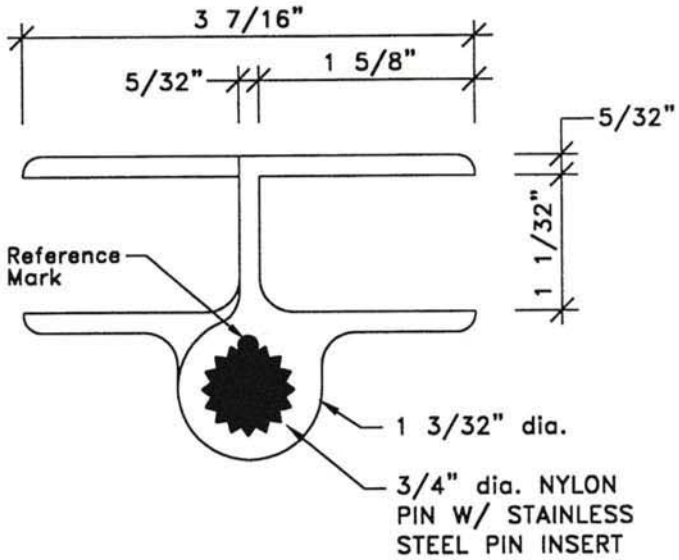
**8" ALUMINUM WRAP AROUND TOP HINGE**  
 (Standard hardware)  
 (Shown is a top hinge for a LHO or RHI door)



DO NOT SCALE



DATED: 10/07/99

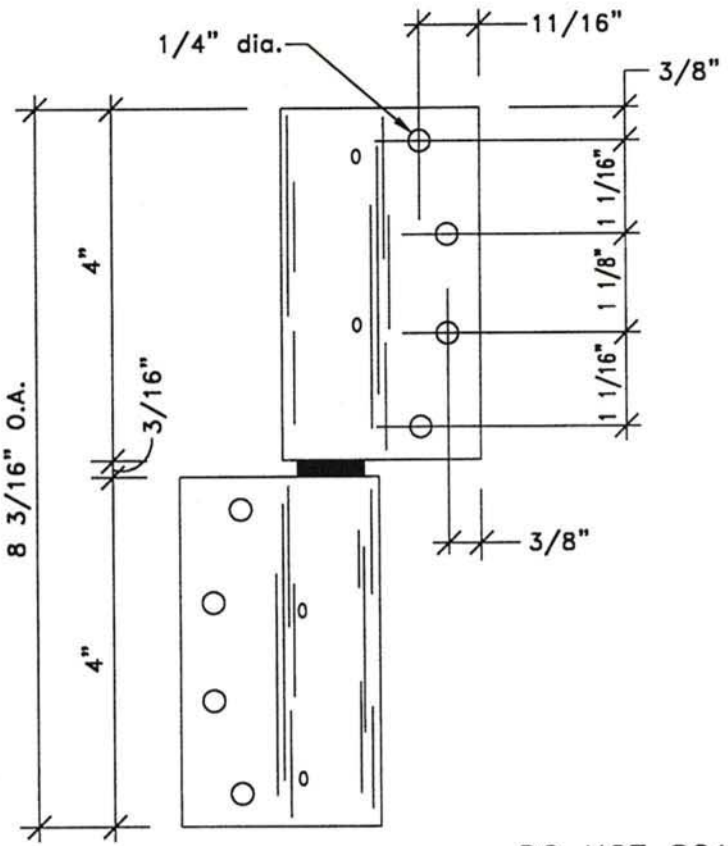
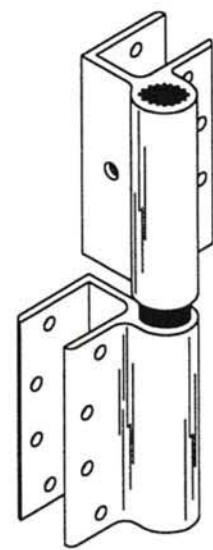


PLAN VIEW SHOWN LARGER THAN OTHER VIEWS

**NOTE:**

Shown is the heavy duty extruded aluminum(6463-T5 alloy) 8" surface mounted wrap around hinge. The hinge has a bright dipped anodized finish. A 1/2" cardboard spacer is placed on the nylon pin between the two parts of the bottom hinge, so that there is enough room for the lower half of the bottom hinge to move up with the cam action in the top hinge. (NOTE: this spacer cannot be removed until after the hinges are installed)

**8" ALUMINUM WRAP AROUND BOTTOM HINGE**  
(Standard hardware)  
(Shown is a top hinge for a LHO or RHI door)



DO NOT SCALE

