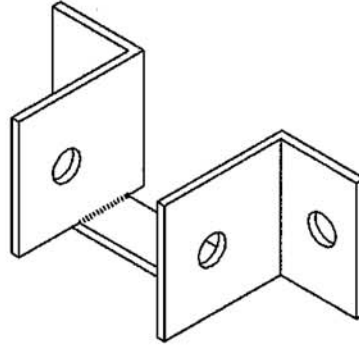
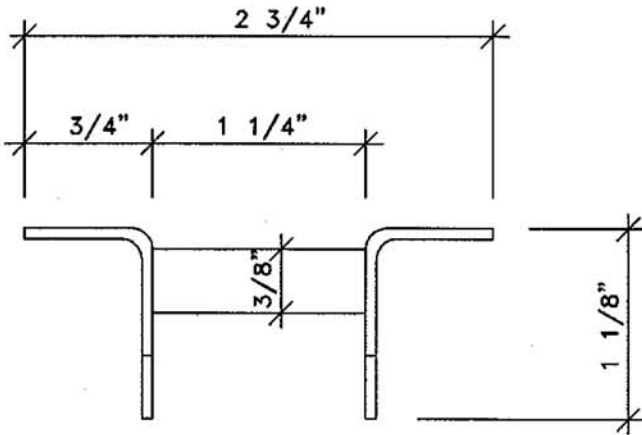
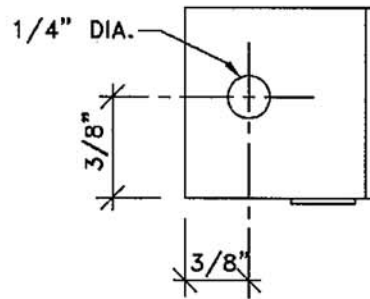
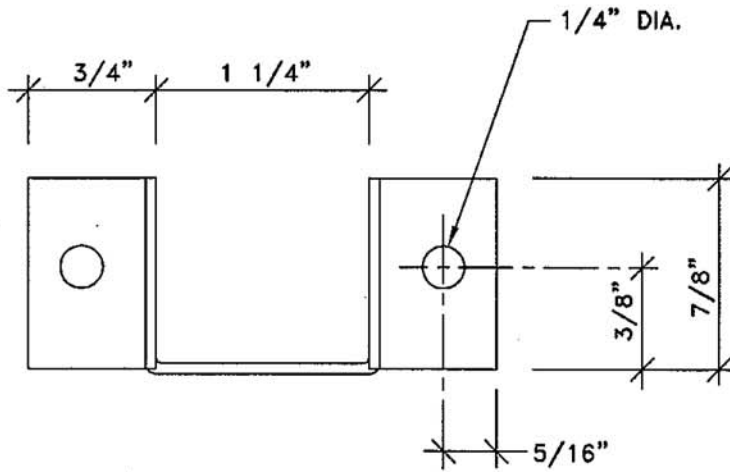


1" STAINLESS STEEL
HEADRAIL BRACKET
(Standard hardware)



NOTE:

Shown is the 1" stainless steel (type 304 - 20 gauge) headrail bracket. The bracket has a satin finish on all exposed surfaces.



DO NOT SCALE

DATED: 3/12/07