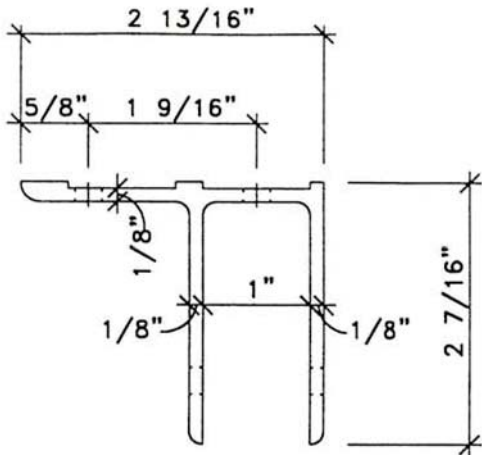
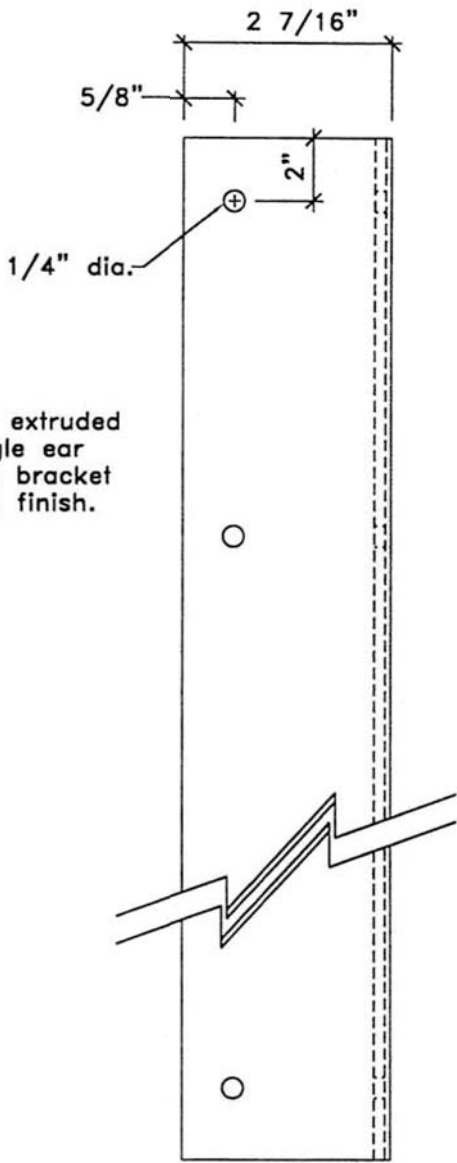
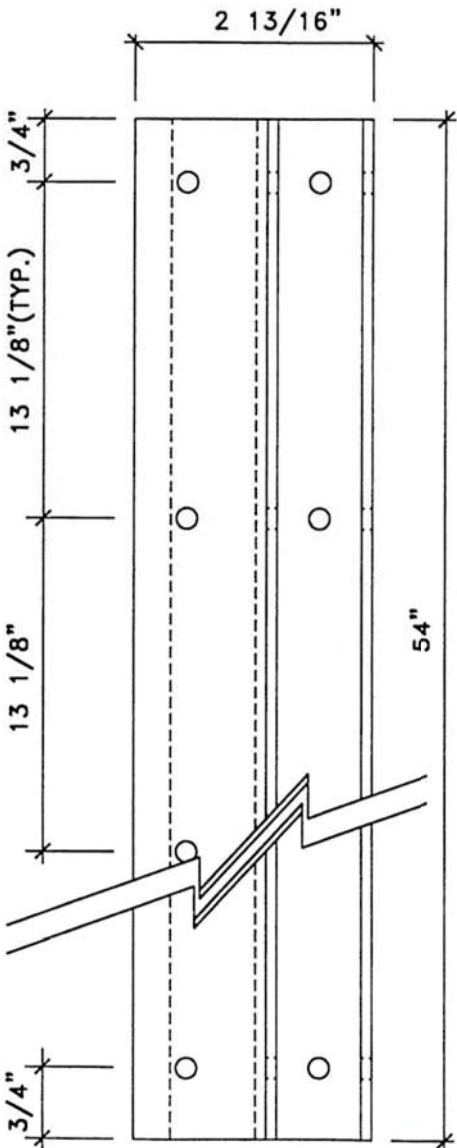
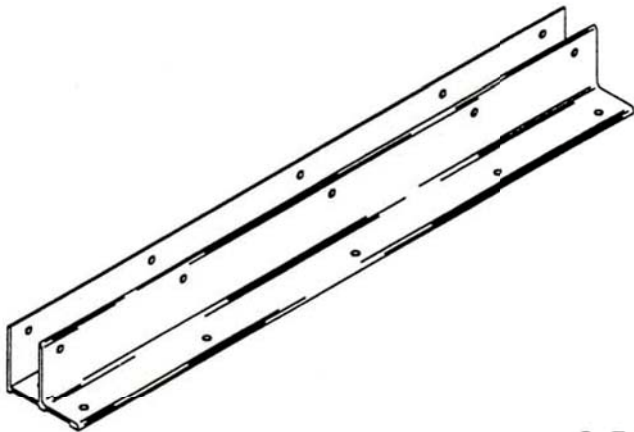


**54" ALUMINUM SINGLE
EAR CONTINUOUS BRACKET**
(Optional hardware)



PLAN VIEW SHOWN LARGER THAN OTHER VIEWS



NOTE:
Shown is the 54" heavy duty extruded aluminum (6463-T5 alloy) single ear continuous wall bracket. The bracket has a bright dipped anodized finish.

DO NOT SCALE

DATED: 10/07/99