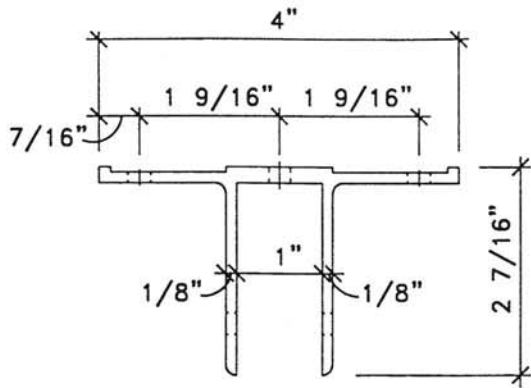
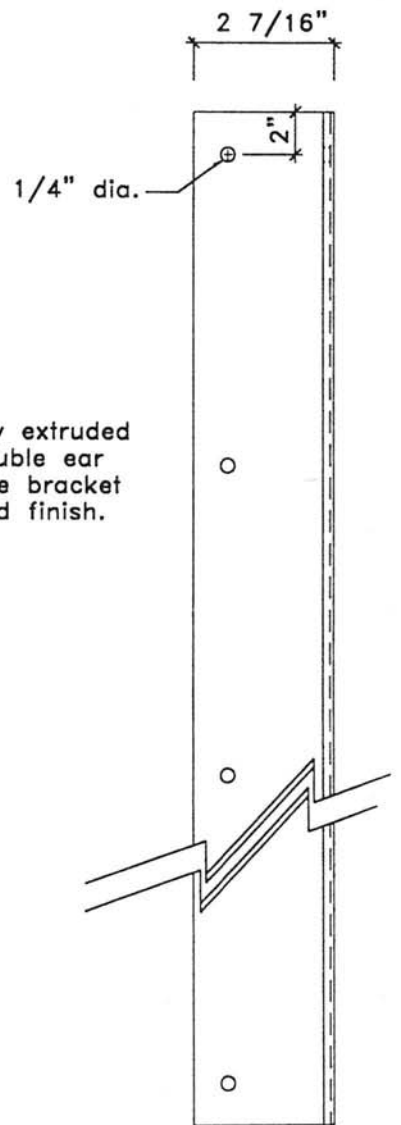
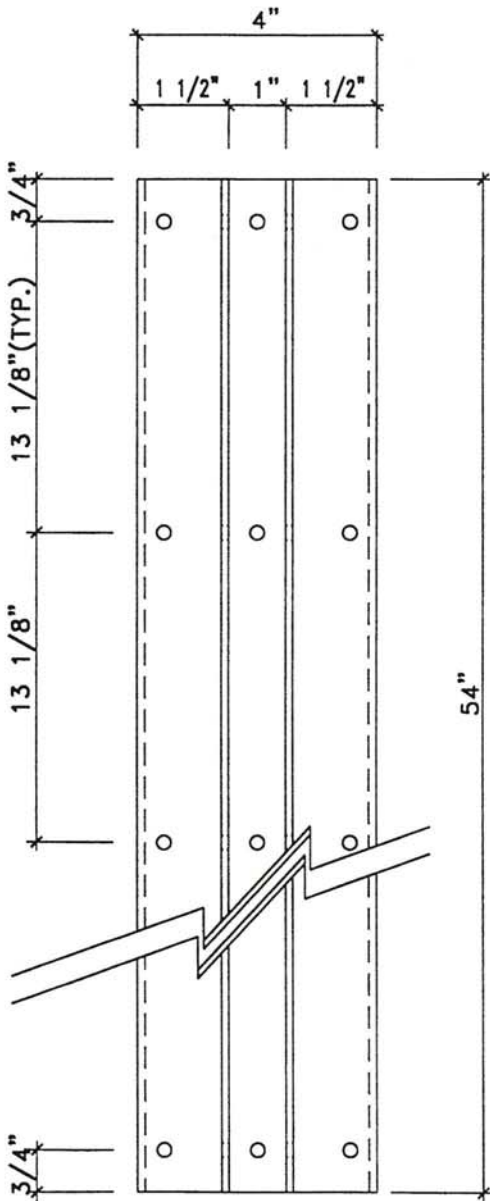
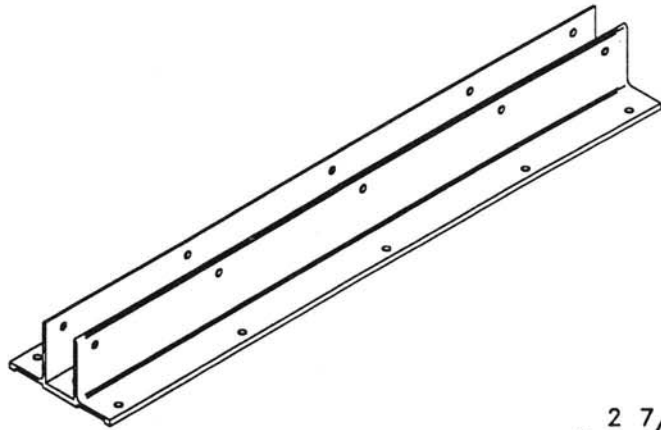


**54" ALUMINUM DOUBLE
EAR CONTINUOUS BRACKET**
(Optional hardware)



PLAN VIEW SHOWN LARGER THAN OTHER VIEWS



NOTE:

Shown is the 54" heavy duty extruded aluminum(6463-T5 alloy) double ear continuous wall bracket. The bracket has a bright dipped anodized finish.

DO NOT SCALE

DATED: 09/29/97