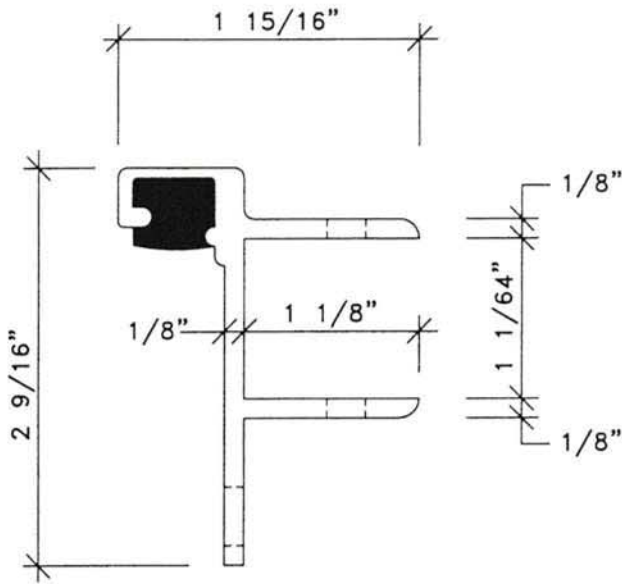
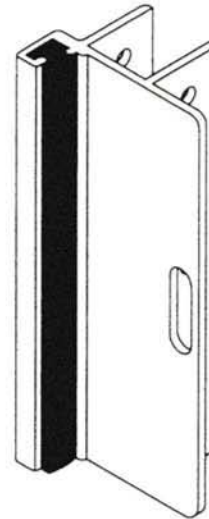


6" INSWING ALUMINUM STRIKE/KEEPER
(Standard hardware)

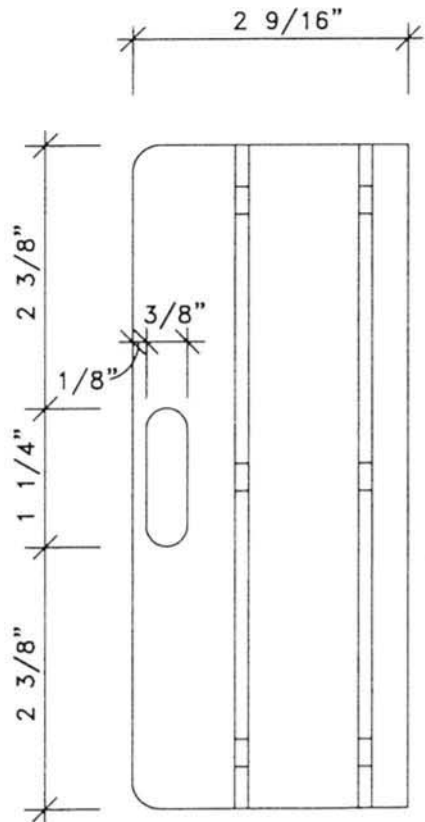
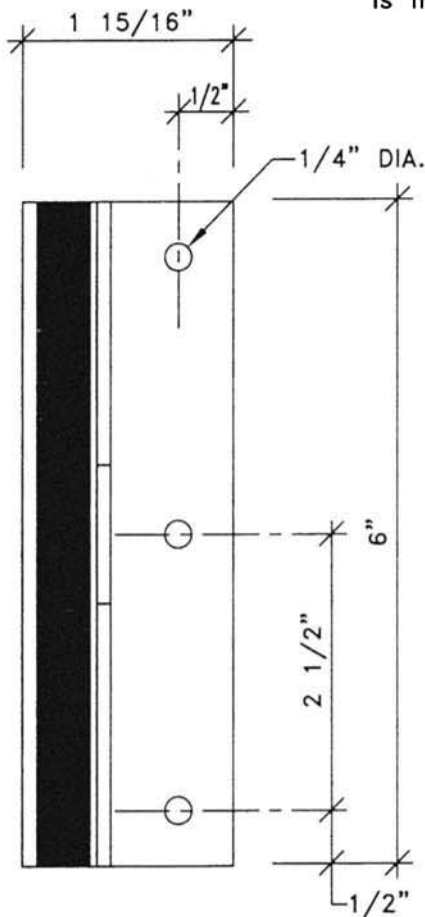


PLAN VIEW SHOWN LARGER THAN OTHER VIEWS



NOTE:

Shown is the heavy duty extruded aluminum(6463-T5 alloy) 6" surface mounted inswing strike/keeper. The strike/keeper has a bright dipped anodized finish. The hard rubber bumper is installed in the strike/keeper at the factory.



DO NOT SCALE

DATED: 10/08/99