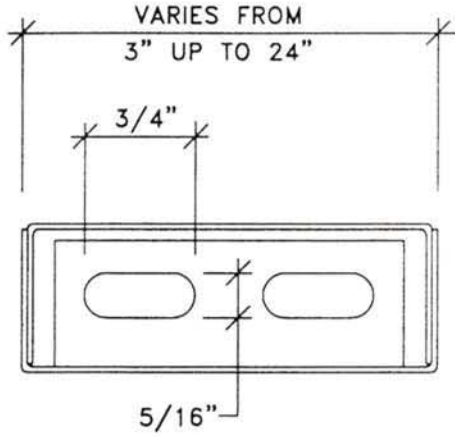
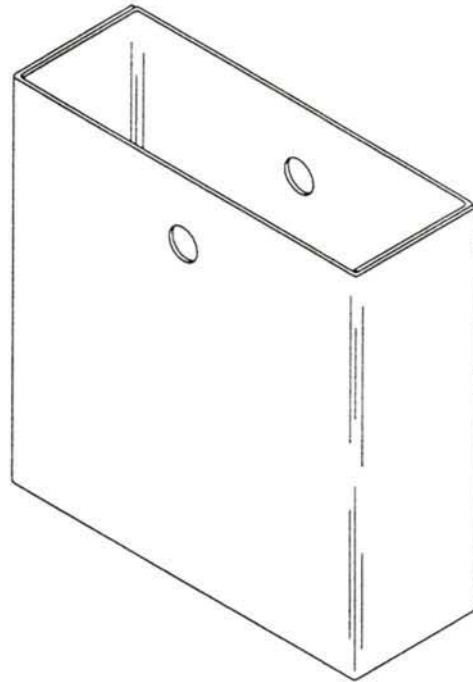


**STAINLESS STEEL  
PILASTER SHOE**  
(Standard hardware)

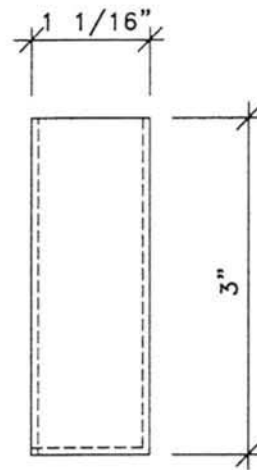
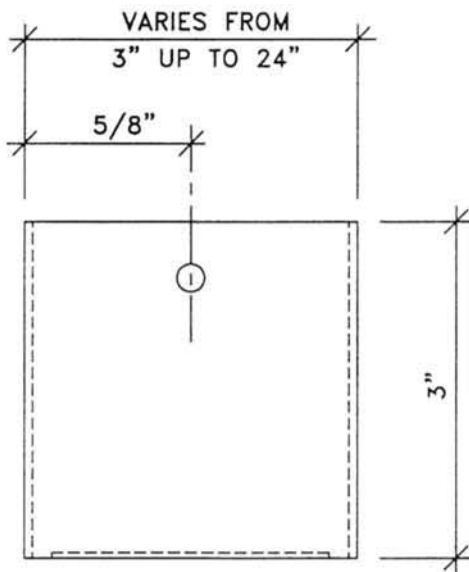


PLAN VIEW SHOWN LARGER THAN OTHER VIEWS



**NOTE:**

Shown is the stainless steel (type 304 - 20 gauge) pilaster shoe ranging in lengths from 3" wide up to 24" wide (no half sizes are available). The shoes have a satin finish on all exposed surfaces.



DO NOT SCALE

DATED: 10/07/99