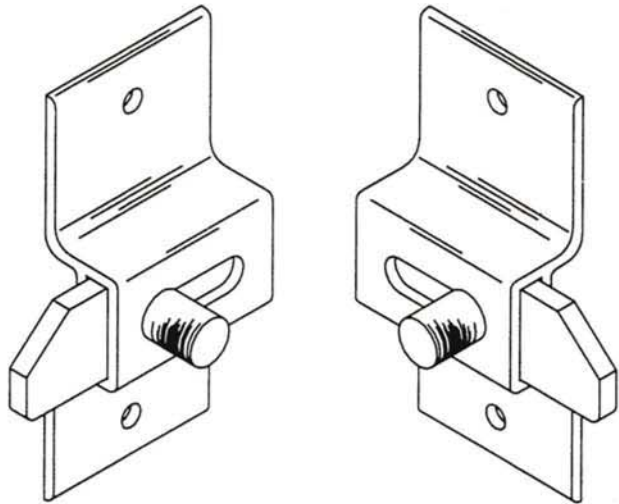
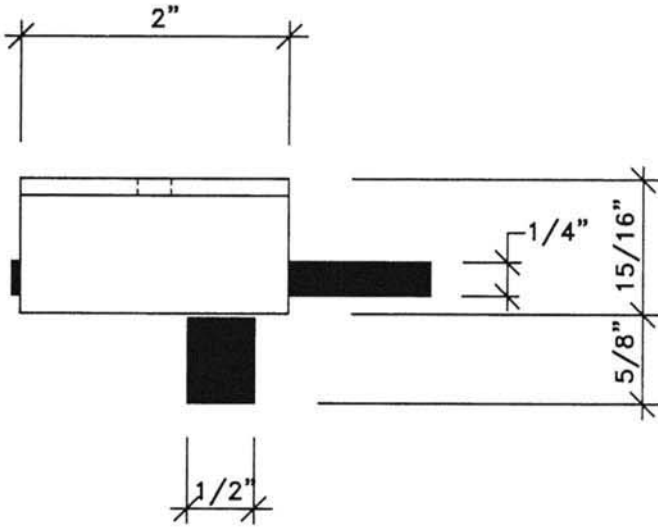


**UNIVERSAL EMERGENCY
ALUMINUM SLIDE LATCH**
(Standard hardware)

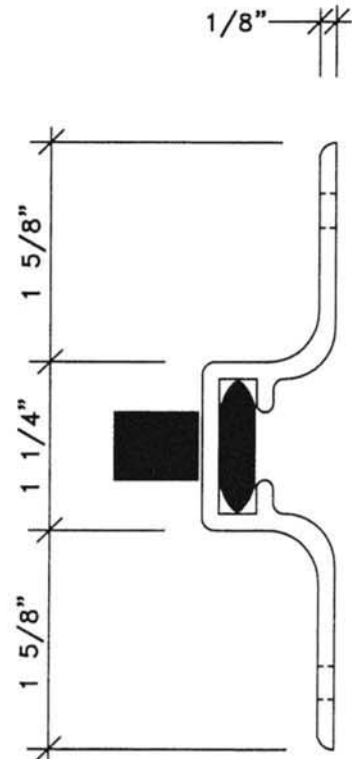
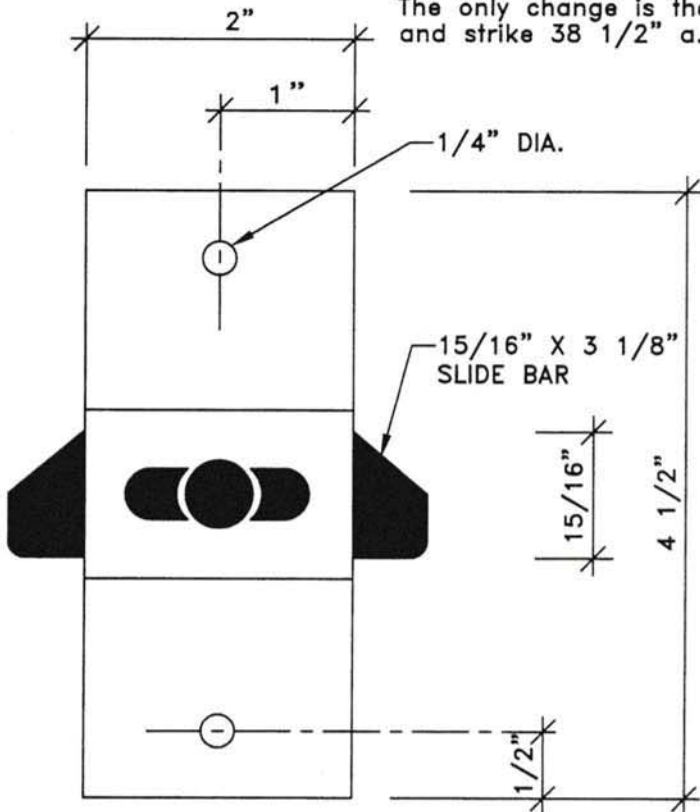


NOTE 1: RIGHT HAND IN LEFT HAND IN

Shown is the heavy-duty extruded aluminum (6463-T5 alloy) slide latch. The housing of the latch has a bright-dipped anodized finish. The slide bar and button have a black anodized finish.

NOTE 2:

All outswing emerg. access latches are comtec's std. latch. The only change is the placement of the latch 39 3/8" a.f.f. and strike 38 1/2" a.f.f. from the bottom of the latch and strike.



DO NOT SCALE

DATED: 10/08/99