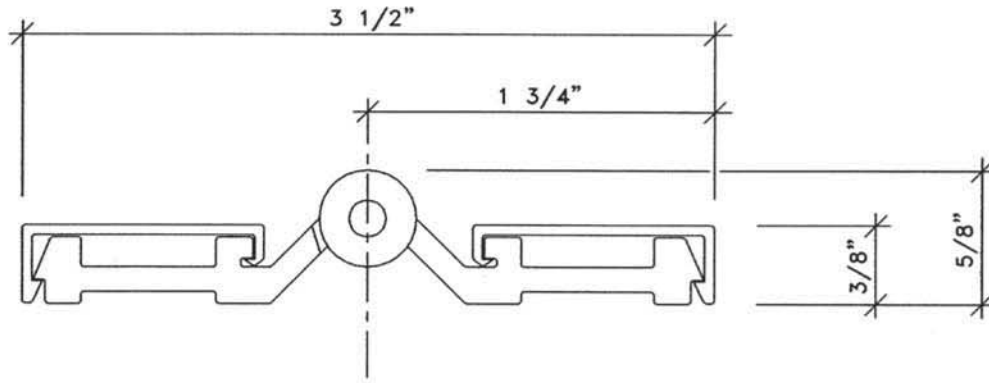
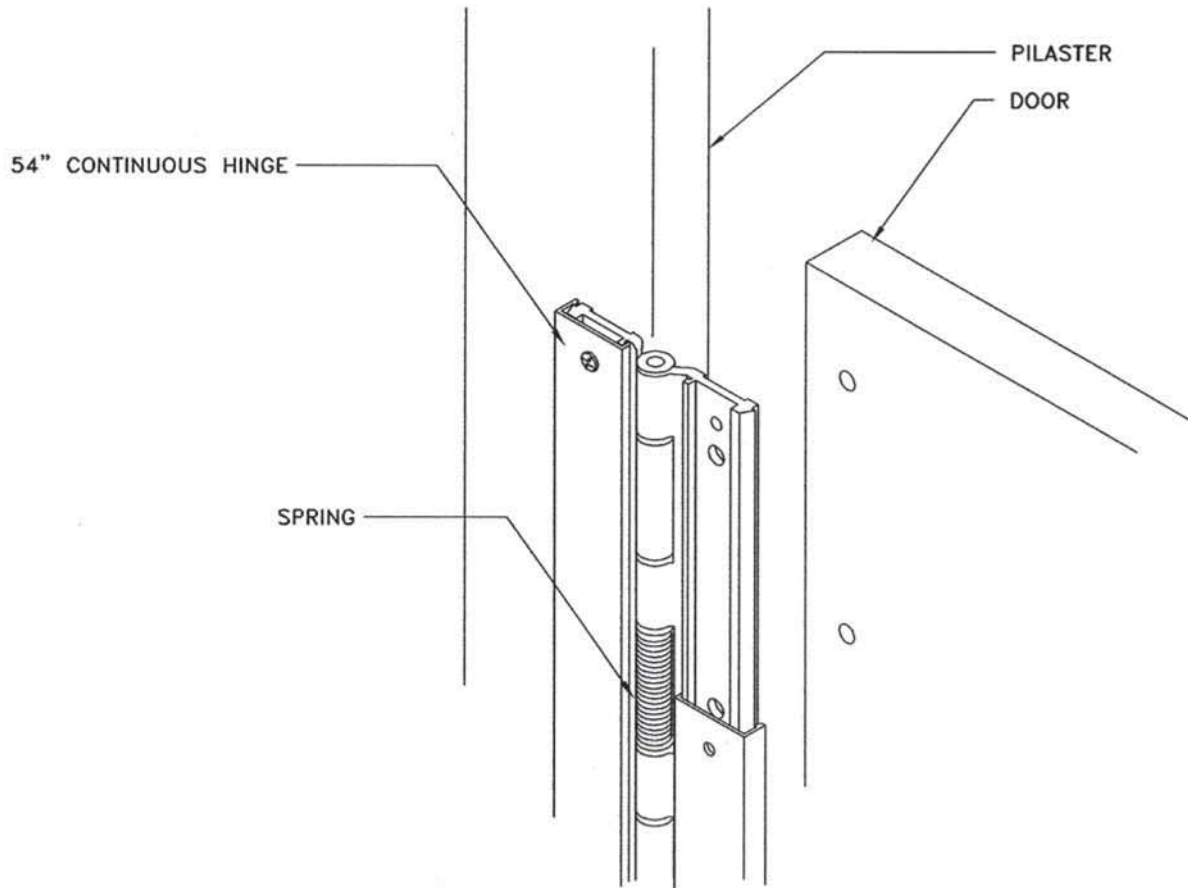


Hardware - 54" Surface Mounted Aluminum Continuous Hinge



PLAN VIEW SHOWN LARGER THAN ACTUAL SIZE



Note: Shown is the 54" continuous heavy duty extruded aluminum (6463-T5 alloy) hinge as supplied by Scranton Products. This hinge is spring loaded and is made to help the door close. The hinge has a bright dipped anodized finish.

Note: All hinges are non-handed and not adjustable.