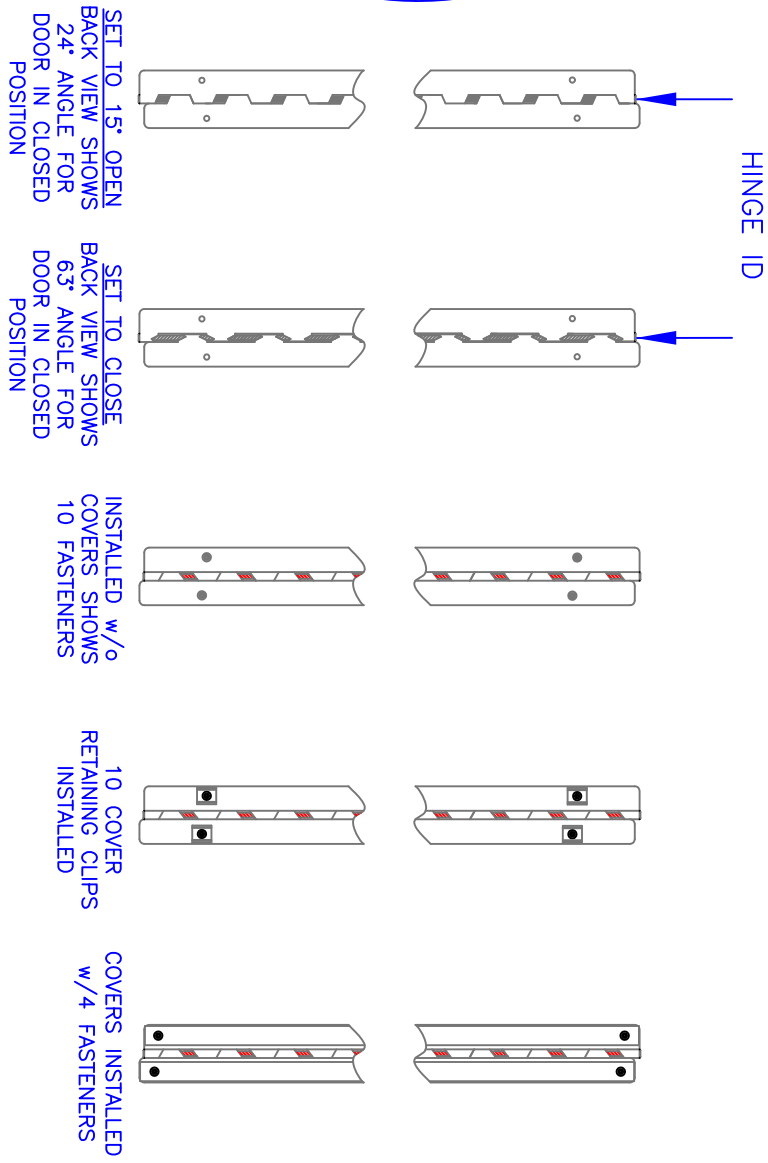
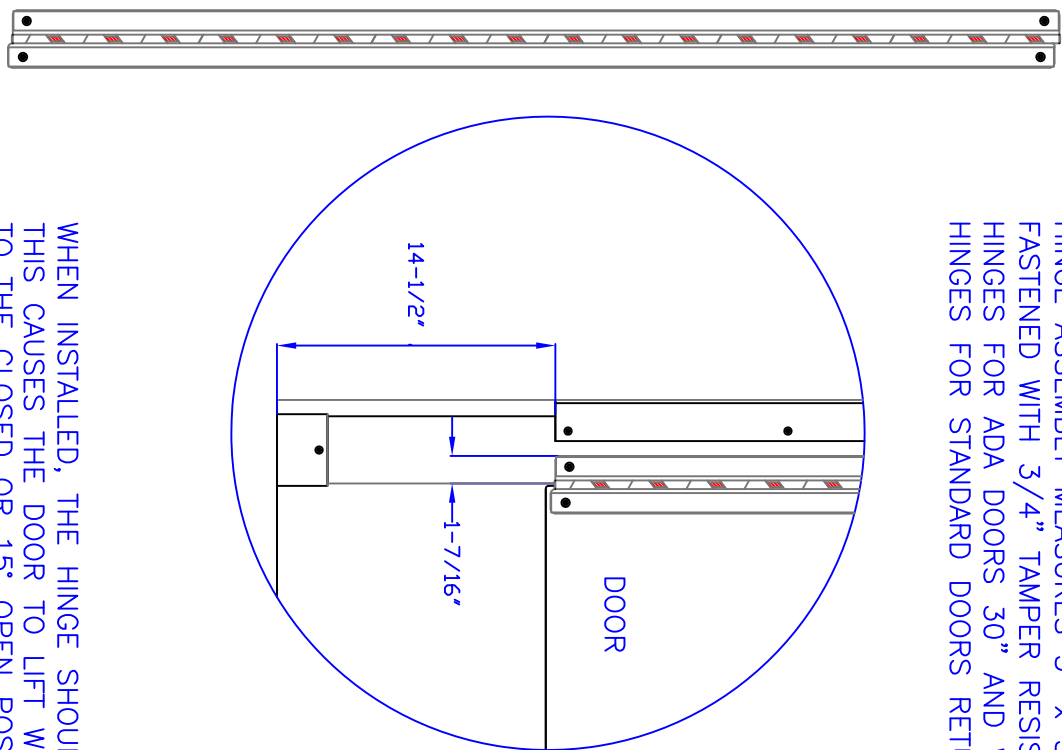


HARDWARE DETAIL FOR CONTINUOUS STAINLESS STEEL HELIX HINGE WITH COVERS

HINGE ASSEMBLY MEASURES 3" x 54-1/2" x 12 GA W/ 1/4" DIAMETER CONTINUOUS PIN - NO SPRINGS. FASTENED WITH 3/4" TAMPER RESISTANT TORX HEAD SCREWS OR THRU BOLTS W/ OR W/O COVERS. HINGES FOR ADA DOORS 30" AND WIDER RETURN TO THE CLOSED POSITION. HINGES FOR STANDARD DOORS RETURN TO A 15° OPEN POSITION - NOT ADJUSTABLE.



WHEN INSTALLED, THE HINGE SHOULD HAVE A 1/4" OFFSET IN THE CLOSED POSITION. THIS CAUSES THE DOOR TO LIFT WHEN OPENED AND ALLOWS GRAVITY TO RETURN THE DOOR TO THE CLOSED OR 15° OPEN POSITION.

THERE ARE 2 TYPES OF HINGE, SET TO CLOSE AND SET TO 15° OPEN - IDENTIFY FROM BACK SIDE ATTACHES WITH 10 - 3/4" X 14 TORX HEAD SCREWS OR 10 THRU BOLTS
DECORATIVE COVERS FASTEN WITH 10 RETAINING CLIPS AND 4 - 3/4" X 14 TORX HEAD SCREWS
HINGE ALLOWS THE DOOR TO BE LIFTED UPWARDS TO ACHIEVE EMERGENCY ACCESS.

YEMM & HART
GREEN P A R T I T I O N S
1417 MADISON 308 MARQUAND MO 63665-9153 USA
TEL 573-783-6434 www.yemmhart.com
REVISED 4/1/2018