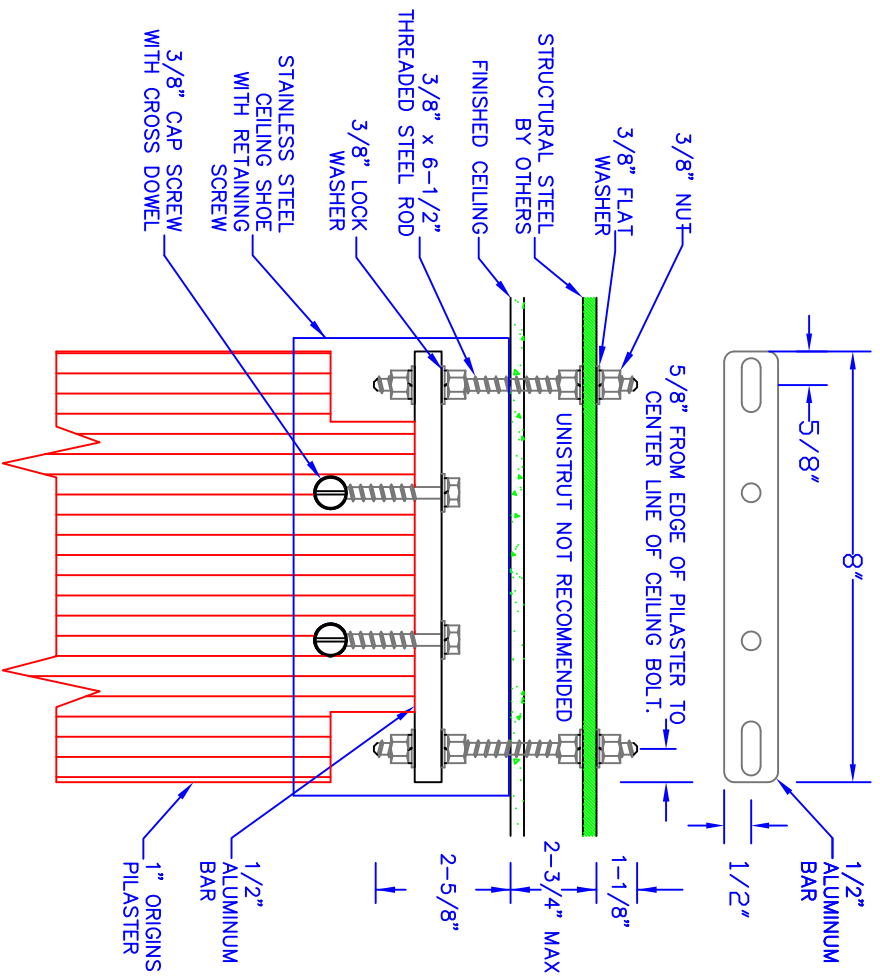
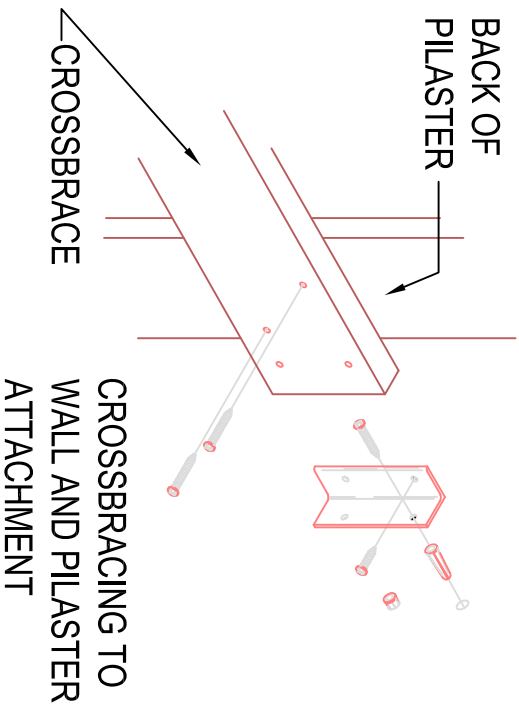


# MADE WITH ORIGINS – RECYCLED HDPE PANELS



BAR BOLTS/PILASTER WIDTH
1 – 4" 5" & 6"
2 – 7" THRU 11"
3 – 12" THRU 24" (EVEN ONLY)



CROSSBRACE DRAWING BY SCRANTON PRODUCTS

## TYPICAL CEILING HUNG DETAILS

ATTACH TO STRUCTURAL STEEL ONLY - UNISTRUT IS NOT RECOMMENDED

CEILING BOLT CENTERS ARE LOCATED 5/8" FROM THE PILASTER EDGES & 1/2" BACK OF OVERALL DEPTH

PILASTER HEIGHT IS 15-1/2" LESS THAN THE CEILING HEIGHT DIMENSION

**Y E M M & H A R T**

**G R E E N P A R T I T I O N S**  
 1417 MADISON 308 MARQUAND MO 63655-9153 USA  
 TEL 573-783-5434 [www.yemmhart.com](http://www.yemmhart.com)

REVISED 4/1/2018