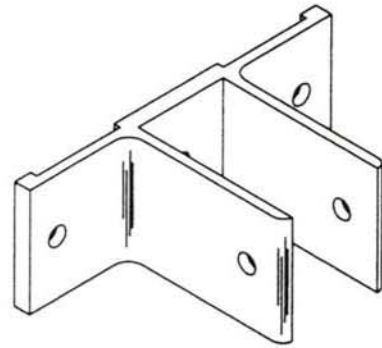
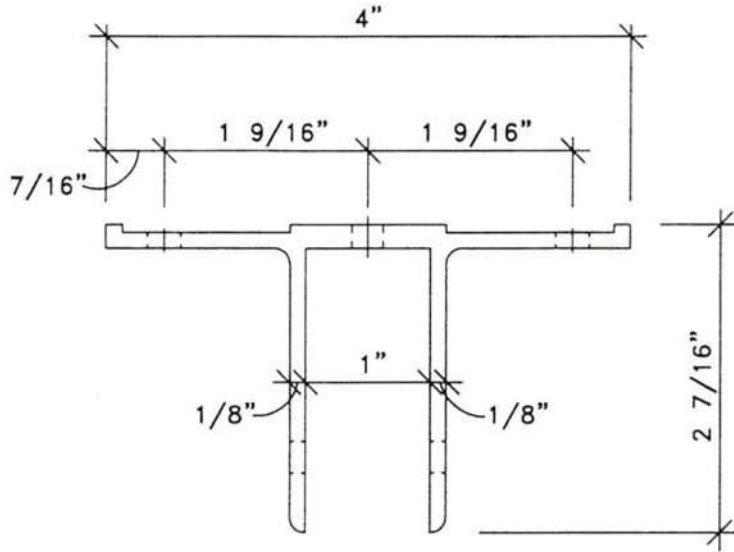
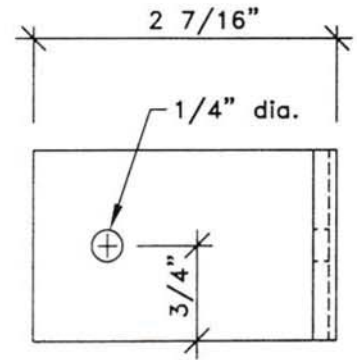
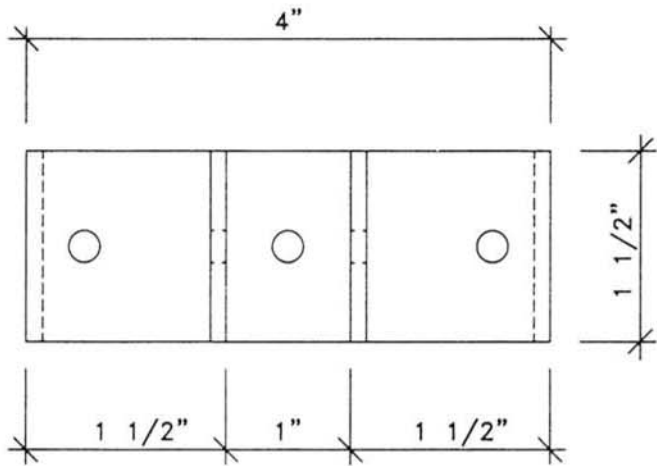


**ALUMINUM DOUBLE-EAR
STIRRUP BRACKET**
(Standard hardware)



NOTE:

Shown is **Standard** heavy duty extruded aluminum(6463-T5 alloy) double ear stirrup bracket. The bracket has a bright dipped anodized finish.



DO NOT SCALE

DATED: 10/07/99