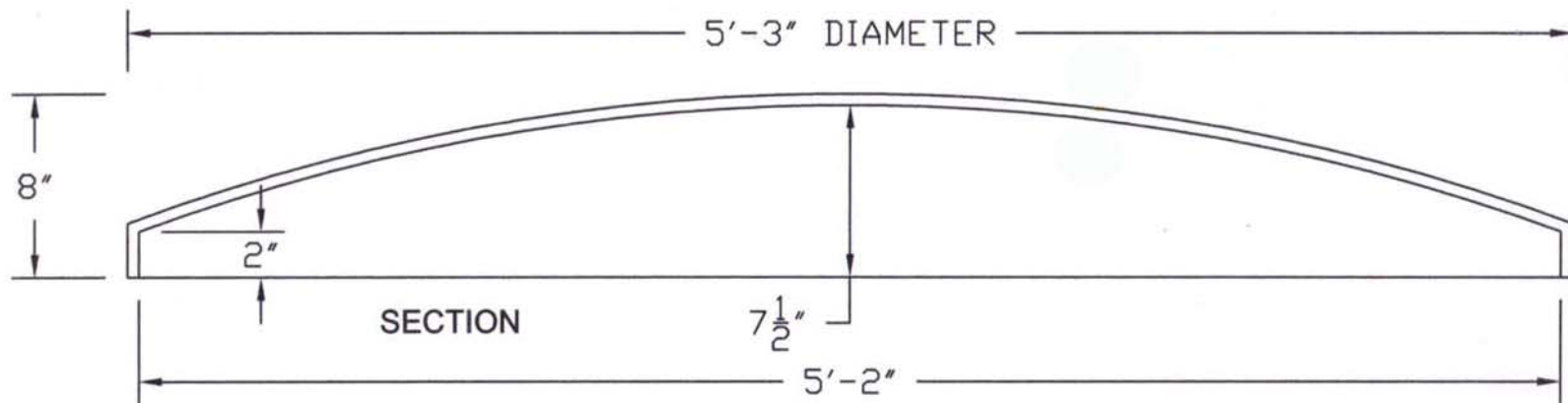


MILITARY FOXHOLE COVER

HIGH DENSITY POLYETHYLENE - BLACK, WHITE & GREEN



EXTRUDED SHEET THICKNESSES: 0.500"
 HOLD TO INTERIOR DIMENSIONS
 EASED INTERIOR & EXTERIOR EDGES

project: MILITARY FOXHOLE COVER				Y E M M & H A R T 1417 MADISON 308 MARQUAND MO 63655-9153 USA TEL: 573-783-5434 FAX: 7544 yemmhart@hughes.net			
location:							
material:	color:	adhesive:	fasteners:				
HIGH DENSITY POLYETHYLENE	BLACK, WHITE & GREEN	N/A	N/A				
special conditions:	dwg type:	dwg name:	dwg #:	date:	rev date:		
EASED INTERIOR & EXTERIOR EDGES	SECTION	FOXHOLE COVERS	1	6/24/2005			